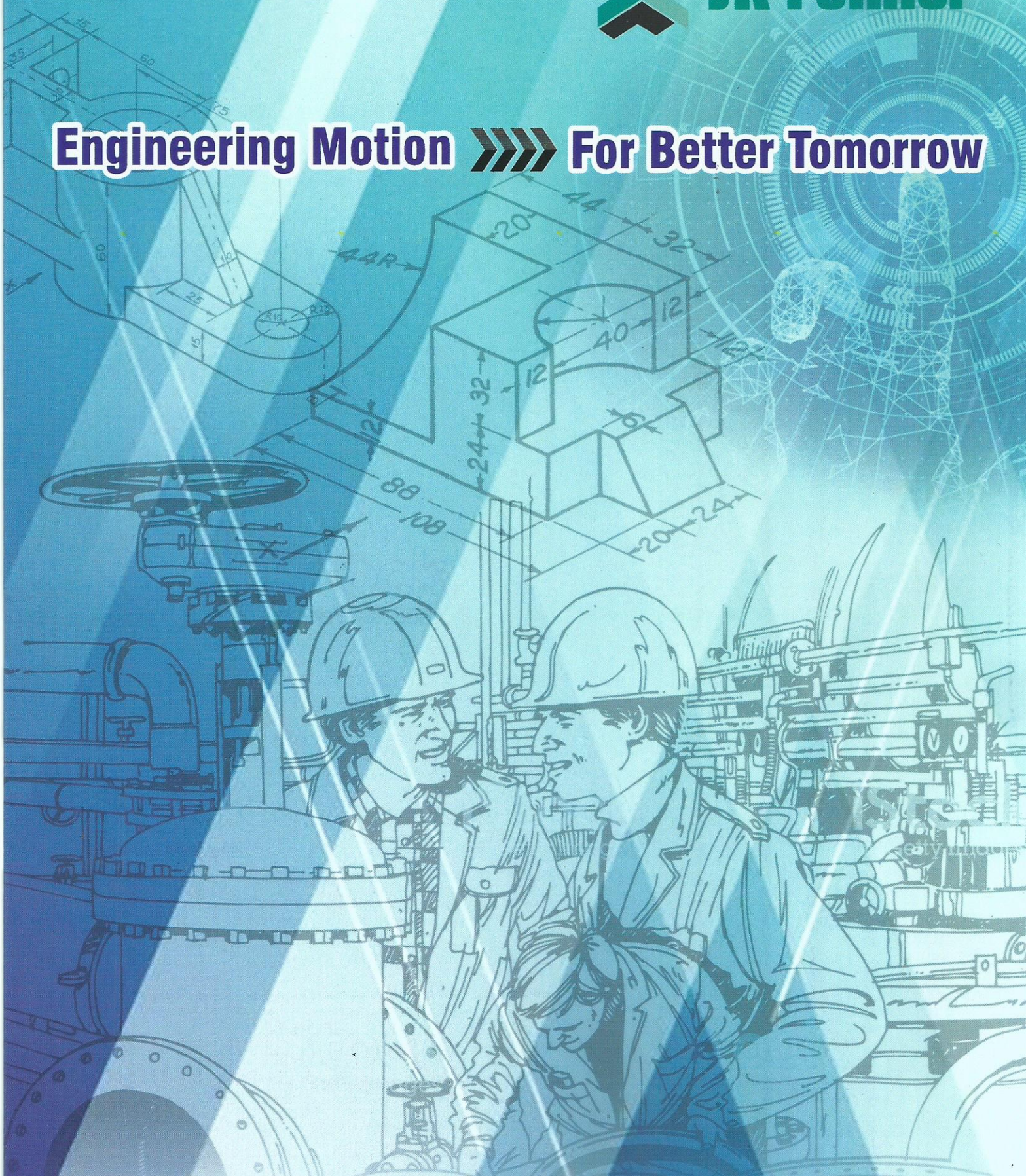




JK Fenner

Engineering Motion >>>> For Better Tomorrow



POWER TRAN[®]

 **tough nut**

VCOL

Rawlin



World Class Manufacturing Facilities

For over 150 years the name JK Fenner has been synonymous with the best in Mechanical Power Transmission, Sealing and Fluid Transfer Solutions. JK Fenner products, such as Transmission Belts, Oil Seals, Hoses, Pulleys, Couplings, Gear Boxes, Geared Motors, Aerators, Rubber Rolls, Belt Tensioners, Control Cables & Engine Mounts have been trusted for performance and reliability, efficiency and economy.

Today J.K. Fenner (India) Ltd is a member of the multi-crore JK Group, one of the leading industrial houses of India. This association since 1987 has put JK Fenner on the speedy growth and consolidated its position as dominant market leader. JK Fenner commenced operation in India in 1929 and put up their first manufacturing unit at Madurai in Tamilnadu in the year 1956. Currently there are 5 state-of-the-art manufacturing and 3 R&D units, situated over 5 different locations. 12 branches, and two Textile units in Karur & Salem in TN. JK Fenner has a large network of 900 Channel Partners and over 100 Application & Design engineers. JK Fenner exports to more than 50 countries globally.

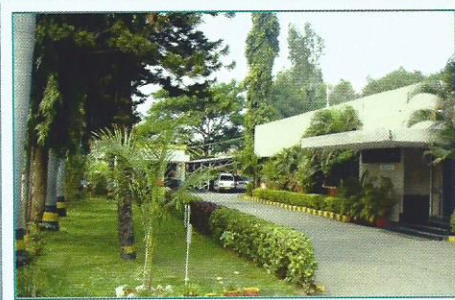
JK Fenner has been maintaining highest quality standards by using the best materials available and state-of-the-art manufacturing process. JK Fenner's manufacturing facilities are ISO 9001, TS 16949 for quality, OHSAS 18001 for Health and Safety 6, ISO 14001 for Environmental protection certified.



State-of-the-art R&D Centre
Chennai - Tamilnadu



Belts Plant
Madurai - Tamilnadu



Belts & Oil Seals Plant,
Patancheru -Telangana State



Oil seals Plant,
Sriperumbudur - Tamilnadu



Engineering Product Plant,
Pashamailaram - Telangana State



Speciality Belts Plant,
Nilakottai - Tamilnadu

Shaft Mounted Speed Reducer (SMSR Plus) - Helical



- ❖ Mounted directly on shaft. No foundation required.
- ❖ Eliminates coupling and external belt take-up arrangements.
- ❖ Options : Foot Mount / Flange Mount / Motor Mounting / Vertical Shaft Mounting / Back Stop.
- ❖ 8 sizes B, C, D, E, F, G, H and J Plus.
- ❖ Torque (O/P) - 6995 Nm at 10 RPM
- ❖ Ratio 5:1, 13:1 & 20:1
- ❖ Wide choice of output speeds obtainable by use of appropriate input V-Belt drive.
- ❖ Choice of Hub bores.
- ❖ Delivers 98% efficiency per stage of reduction.

Parallel Helical Geared Motor



- ❖ 8 Sizes: B, C, D, E, F, G H & J
- ❖ Ratio: 5:1, 6.3:1, 6.8:1, 10:1, 13:1, 15:1, 20:1, 25:1, 30:1, 40:1, 50:1, 63:1
- ❖ Back stop assembly in the Adaptor
- ❖ Hollow output Hub with standard & alternate bore sizes.
- ❖ Compact design results in improved performance of equipment.

Helical Inline Geared Motor (FH Series)



- ❖ Power Rating - 0.2 KW to 15 KW.
- ❖ Wide range of ratios.
- ❖ High Durability and Reliability.
- ❖ Accepts Standard IEC motors.
- ❖ Gear box with IEC/ISS.
- ❖ Mounting options - Foot Mount / Flange Mount.
- ❖ Quiet and Noiseless operation.

Worm Gear Box



- ❖ Casing is made of closely grained FG-260 Grade C.I
- ❖ Easy interchangeable with the Std. gear boxes.
- ❖ Ratio - 5:1 to 70:1
- ❖ Type - Horizontal / Vertical / Adaptable Gear Box

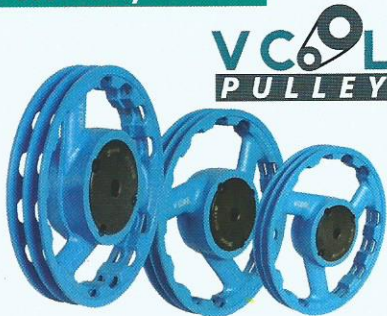
Worm Geared Motor (FW Series)



- ❖ High reduction ratio.
- ❖ Flexible mounting.
- ❖ Power Rating - 0.12 KW to 15 KW
- ❖ Accepts Standard IED motors.
- ❖ Gear box with IEC/ISS.
- ❖ Lubricated for life time
- ❖ Maintenance free operation.
- ❖ Types: Worm / Helical Worm / Double worm reductions.

Power Transmission Accessories

V Cool Pulley



- ❖ Material - High grade SG Iron.
- ❖ Balanced Pulley.
- ❖ Longer Belt and Bearing life.
- ❖ Reduced energy consumption

Taper-Lock Dual Duty Pulleys Classical V / Wedge, Poly-V Timing and HTD drives



- ❖ Dual Duty grooves to perfectly match Classical V and Spacesaver wedge belts.
- ❖ Taper Lock Pulleys for Poly-V and Timing / HTD drives.
- ❖ Caters to drives up to 200 kW with speed ratio up to 1:7
- ❖ Taper Lock 'Shelf to Shaft'.
- ❖ Over 710 standard sizes.
- ❖ Custom-build large pulleys for higher power transmission

HRC Flexible Jaw Couplings

- ❖ Higher power transmission and misalignment capacity.
- ❖ Withstands temperatures from -40°C to 100°C.
- ❖ 8 sizes power rating from 0.33 kW to 33 kW at 100 rpm.
- ❖ Standardized HRC plug-in Flywheel Couplings for Kirloskar, Cummins, Leyland, Ruston & Perkins engines.



Fenaflex Type Couplings



- ❖ Highly elastic, backlash free, absorb shocks and dampen vibrations.
- ❖ Choice of Tyres-Standard, Neoprene or Fire Resistant Anti-static (FRAS)
- ❖ 17 sizes-power rating 0.22 kW to 132 kW at 100rpm

Bush Type Flexible Couplings



- ❖ Simple & compact in construction.
- ❖ Transmits torque through high tensile steel bolts.
- ❖ 26 sizes-power rating from 0.81 kW to 2069 kW at 100 rpm.

Resilient Couplings



- ❖ Torsionally flexible providing protection against shock load, impact load and vibration.
- ❖ Transmits full torque with dampened vibration and reduce peak loads.
- ❖ Sizes: from 0.45 kW to 1307 kW per 100 rpm and bore up to 267 mm.

Essex Couplings



- ❖ Flexible inserts cater for incidental angular, parallel and axial misalignments.
- ❖ Quick and easy installation.
- ❖ Range of Standard, External Spider and Cushion Type with power rating from 0.21 kW to 22.40 kW at 100 rpm

Gear Couplings



- ❖ High mechanical flexibility - Curved tooth profile.
- ❖ Carbon steel forged / cast hubs with hardened teeth. 19 sizes - power rating 11.5 kW to 12700 kW at 100 rpm.
- ❖ Variants of Shear Pin, Spacer, Torsion Shaft types.

Power Transmission Accessories

Vibrator Motors



- ❖ Rugged construction for tough environment. Totally dust proof air cooled design. Complies with IP55 specification.
- ❖ F-Class winding: Impervious to dust moisture and vibrations. Motor winding is vacuum impregnated.
- ❖ Terminal box connector sealed with layer of resin to prevent damage due to vibrations
- ❖ Vibrations force is adjustable from zero to maximum by adjusting position of unbalance weights provided on both sides of the motor shaft.
- ❖ Drive shaft made from alloy steel to withstand stress at high speed.
- ❖ Thermal overload protection

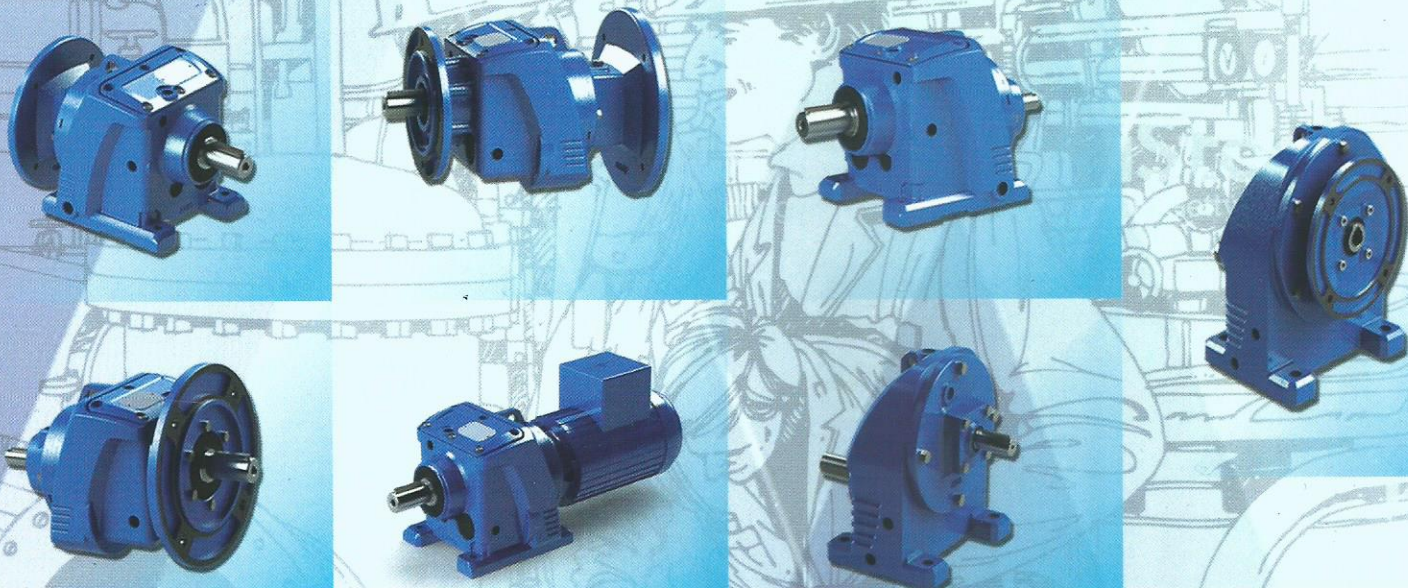
Aqua Culture

Aerators

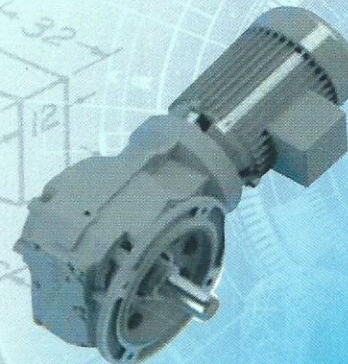
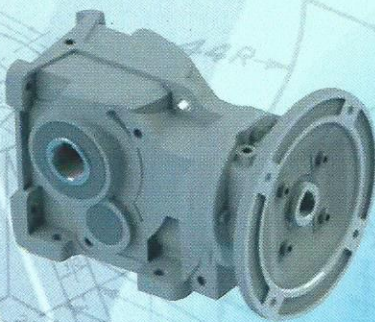


- ❖ Direct drive
- ❖ Gear box designed with two spiral Bevel & Helical Gears
- ❖ Motor is designed with Spline Shaft
- ❖ 4-Pole induction Motor of Fenner make
- ❖ Motor power 1HP for Balancing type & 2HP for Long arm Type
- ❖ High efficiency of gear box. Compact design
- ❖ Easy to assemble during installation. Covered with close guard
- ❖ Power saving 25-30% on similar product

In-line Helical Gear Reducer



Bevel Helical Gear Reducer



Corporate Office:
Khivraj Complex II, V Floor,
480, Anna Salai, Nandanam, Chennai-600 035.
Tel: +91 4399 4666
E-mail: ptd_mhq@jkfenner.com
Web: www.jkfennerindia.com

Registered Office:
3, Madurai - Melakkal Road,
Kochadai, Madurai - 625 016.
Tel : 0452-4283800 Fax : 0452 -2383822.



PLANT:

Plot No.11&12, Phase IV, TSIC, IDA, Pashamailaram-502 307. Medak Dist, Telangana, India
Tel : 08455-224501, Email : info-ia@jkfenner.com

BRANCHES:

- **Ahmedabad:** 602, Wall Street Annx., Near Gujarat College Railway Crossing, Ellis Bridge, Ahmedabad - 380006. Tel: 079-26408573 / 26408572.
- **Bangalore:** 20, New Timber Yard Layout, Mysore Road, Bangalore - 560 026. Tel: 080-26756333, Fax: 080-26741001.
- **Indore:** 58, New Dewas Road, Vallabh Nagar, Above SBI Branch, Malwa Mill Square, Indore - 452 003. Tel: 0731 4205048 / 4285048, 9981507191.
- **Jaipur:** 511, Neelkanth Tower, Bhawani Singh Road, Opposite Sahkar Bhawan, C Scheme, Jaipur-302001. +91-141-2211075; 9799394727; 9950556644
- **Kanpur:** 1st Floor, 13/391, Civil Lines, Kanpur-208001, Tel: 97939 99997.
- **Kochi:** 32/563 A, J.K.Building, Pallisser Road, Palarivattom, Cochin - 682025. Tel: 0484-6003888, 98950 71066.
- **Kolkata:** DN 10, Merlin Matrix, Unit No 605, 6th Floor, Sector V, Salt Lake City, Kolkata - 700 091. Tel: 033-66168861.
- **Ludhiana:** B-XVII/2820/48, Opp to Adam Park, Jammu Colony, Link Road, Ludhiana - 141 003. Tel : 0161-2410214. Fax: 0161-2443791.
- **Madurai:** 117/6E, Madurai - Usilampatti Road, Meenakshipuram, Madurai - 625 016. Tel : 0452-2383920, Fax: 0452-2383921.
- **Navi Mumbai:** 105, Gauri Complex, Sector-11, CBD-Belapur, Navi Mumbai-400 614. Tel : 022-27560985, 022-27580236, Fax : 022-27563330.
- **New Delhi:** 2nd Floor, Delite Theatre Building, Asaf Ali Road, New Delhi - 110002. Tel : 011-23243113, 23243153, 23243154, Fax: 011-23243114.
- **Hyderabad:** Plot No. 35, TIE (Technocrat Industrial Estate), Behind Andhra Bank, Balanagar, Hyderabad 500 037. Tel: 040-23071126-39.